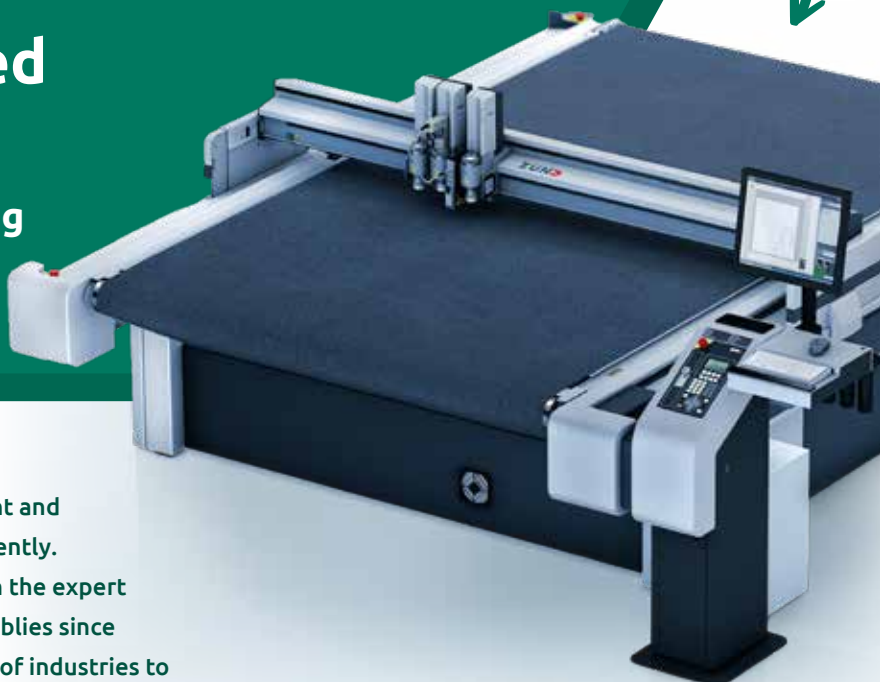


Unprecedented possibilities

Unprecedented cutting and milling precision



With our digital cutting and milling machine, we are able to meet current and future challenges flexibly and efficiently. The Twentse Stalenmakerij has been the expert in the presentation of swatch assemblies since 1983. Swatches are used in all kinds of industries to demonstrate materials and products.

Everything is custom-made, and a wide variety of materials are used. Think of materials such as wallpaper, carpeting, blinds, leather, window film, fabrics, tablecloths; you name it, and we can process it. This machine can literally cut anything, allowing us to extract any desired shape from any material.

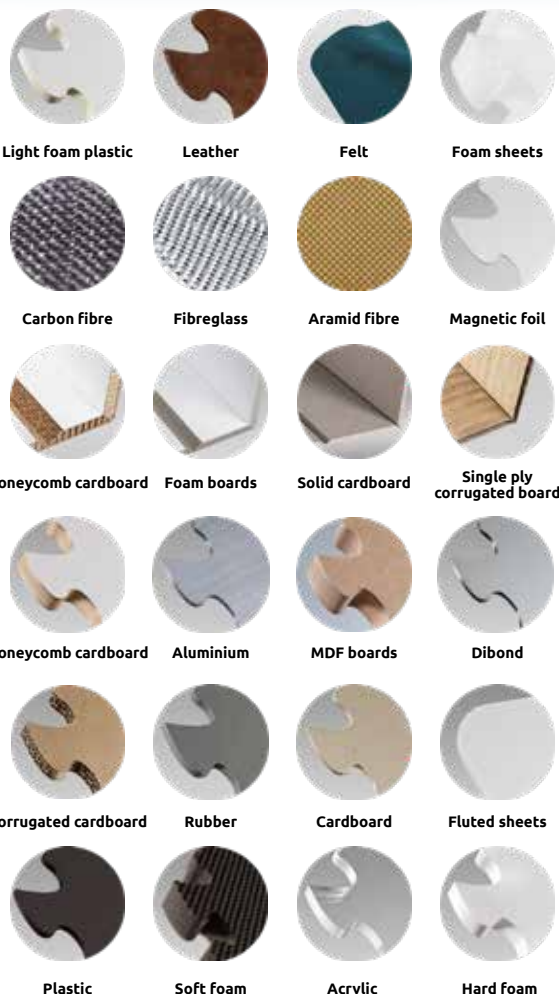
The currently installed machine is a true all-rounder with tabletop dimensions of 3200 mm by 2270 mm (LxW).

This machine, with its 3.6 kW milling module and automatic cutter changer, also includes a Power Rotary Tool for cutting (technical) textiles, a creasing tool and V-cut tool for making grooves and, of course, the versatile Universal Cutting Tool.

If you are interested, please contact us about the possibilities for the work you want us to process.

We wish you happy holidays and a prosperous New Year!

Materials that we can cut and mill



Twentse Stalenmakerij [®] b.v.

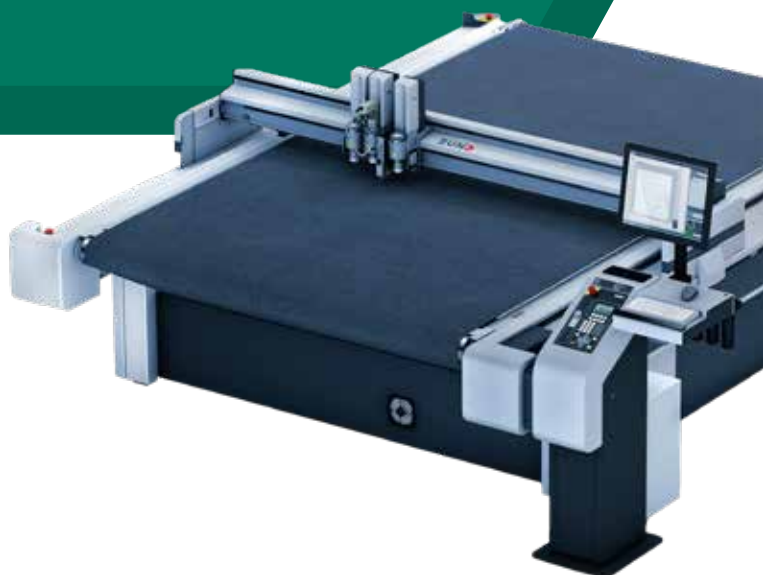
STALENCOLLECTIES / SAMPLE COLLECTIONS SINCE 1983

For more information,
please scan this QR code.



Unprecedented possibilities

Unprecedented cutting
and milling precision



3D lettering



Shoes



Bags



Inlays



Cardboard packaging



Automotive



Aviation



Department of Defense



Magnetic Foil



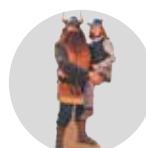
Luxury packaging



Displays



Trade fairs



Advertising